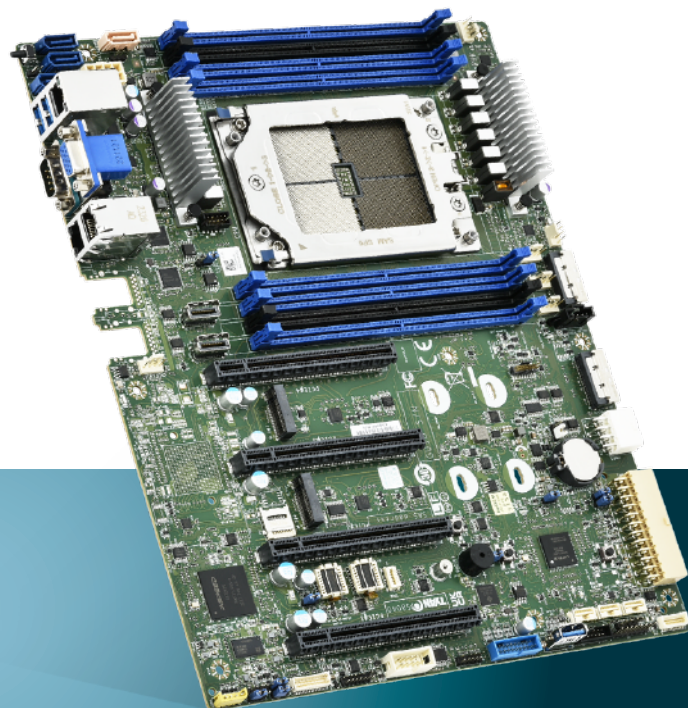
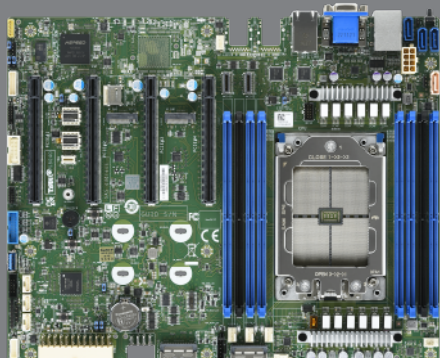


AMD EPYC 8004 SERVER MOTHERBOARD



Tomcat HX S8040

S8040GM2NE / S8040GM4NE-2T



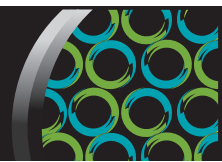
■ AMD EPYC™ 8004 Series Processors

Rack-optimized Xeon 2S Server MB

- (1) AMD Socket SP6
- (8) DDR5 RDDR5 4800 MHz (1DPC) Up to 768GB RDIMM DDR5 4800/3600 memory
- (4) PCIe Gen.5 x16 slots
- (2) 10GbE + (2) GbE + (1) IPMI
- ATX (12" x 9.6")

■ Summary Table

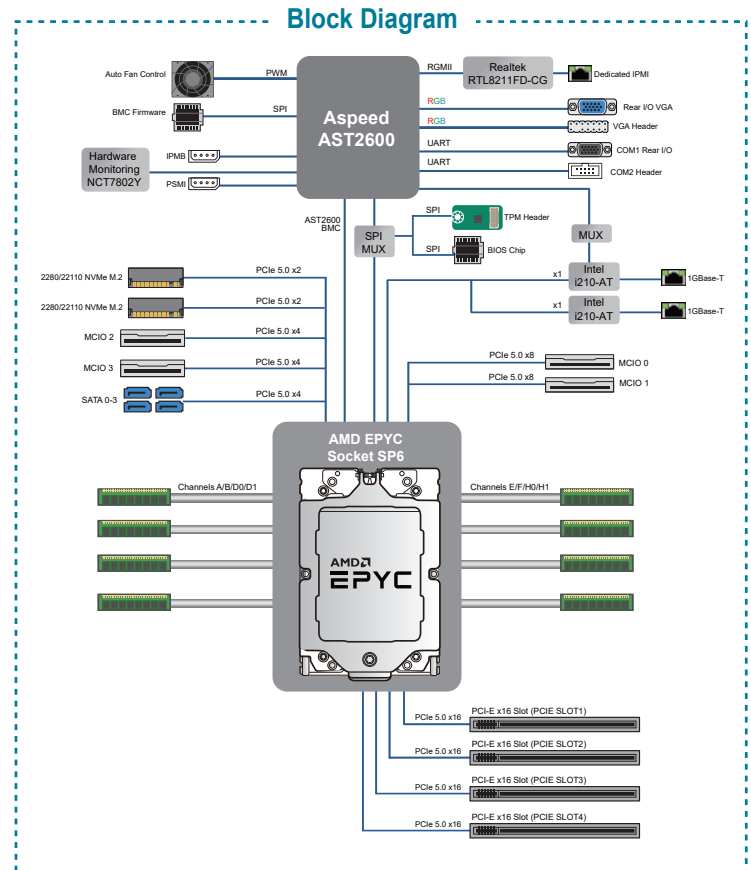
SKU	Storage	Networking
S8040GM2NE	(4) SATA + (2) M.2 + (2) MCIO x4 + (2) MCIO x8	(2) 1000Base-T + (1) IPMI
S8040GM4NE-2T	(4) SATA + (2) M.2 + (2) MCIO x4 + (2) MCIO x8	(2) 1000Base-T + (2) 10GBase-T + (1) IPMI



Tomcat HX S8040

S8040GM2NE

Processor	Q'ty / Socket Type	(1) AMD Socket SP6	
	Supported CPU Series	(1) AMD EPYC™ 8004 Series Processor	
	Thermal Design Power Wattage	Max up to 225W (TDP)	
Memory	Supported DIMM Q'ty	(8) DIMM slots	
	DIMM Type / Speed	DDR5 4800 MHz (1DPC)	
	Capacity	Up to 768GB RDIMM DDR5 4800/3600 memory	
	Memory channel	6 Channels per CPU	
	Memory voltage	1.1V	
Expansion Slots	PCIe	(4) PCIe Gen.5 x16 slots	
LAN	Port Q'ty	(2) GbE ports + (1) GbE dedicated for IPMI	
	Controller	Intel I210	
	PHY	Realtek RTL8211F	
Storage	SATA	Connector	(4) SATA
		Speed	6Gb/s
		RAID	N/A
	NVMe	Connector (M.2)	(2) 22110/2280 (by PCIe Gen.5 interface)
Graphic	Connector type	(1) VGA	
	Resolution	Up to 1920x1200	
	Chipset	Aspeed AST2600	
	NVMe	(2) M.2 x4 / (2) M.2 x8	
	USB	(1) USB3.2 Gen.1 header / (1) USB3.2 Gen.1 conn. (Type-A) / (2) USB3.2 Gen.1 ports (@rear)	
Input /Output	COM	(1) COM port header / (1) DB-9 COM Connector	
	VGA	(1) VGA port	
	RJ-45	(2) GbE ports + (1) GbE dedicated for IPMI	
	Front Panel	(1) 2x12-pin SSI front panel header	
	SATA	(1) SATA-DOM connector / (3) 7-pin SATA connectors	
	Power	(2) 2x4 Power input connectors (1) 2x12 Power input connector	
	TPM (Optional)	TPM Support	Please refer to our TPM supported list.
	System Monitoring	Interface	SPI
Chipset		Aspeed AST2600	
Fan		Total (5) 4-pin headers	
Voltage		Monitors temperature for CPU, memory & system environment	
Temperature		Monitors voltage for CPU, memory, chipset & power supply	
Server Management	LED	Fan fail LED indicator / Over temperature warning indicator / Fan & PSU fail LED indicator	
	Onboard Chipset	Onboard Aspeed AST2600	
	Brand / ROM size	AMI / 32MB	
BIOS	Feature	Hardware Monitor / FAN speed control automatic / Boot from USB device/PXE via LAN/Storage / Console Redirection / SMBIOS 3.0/PnP/Wake on LAN / ACPI sleeping states S0, S5	
	Form Factor	ATX	
Physical Dimension	Board Dimension	12" x 9.6" (305 x 243.8mm)	
	OS supported list	Please refer to our AVL support lists.	



Regulation	FCC (SDoC)	Class A
	CE (DoC)	Class A
Operating Environment	Operating Temp.	10° C ~ 35° C (50° F ~ 95° F)
	Non-operating Temp.	- 40° C ~ 70° C (-40° F ~ 158° F)
	In/Non-operating Humidity	90%, non-condensing at 35° C
RoHS	RoHS 6/6 Compliant	Yes

(Specifications are subject to change without notice. Items pictured may only be representative.)

MiTAC Computing Technology Corp

USA
Tel: +1-510-651-8868
Fax: +1-510-651-7688

Taiwan
Tel: +886-3-327-5988
Fax: +886-3-327-6312

China
Shanghai Tel: +86-021-61431188 #1361
China Tel: +86-010-62381108 #2485

Japan
Tel: +81-3-3769-8311
Fax: +81-3-3769-8328

EMEA
Tel: +44 07540328523
Email: robin.daunter@tyan.com

Tomcat HX S8040

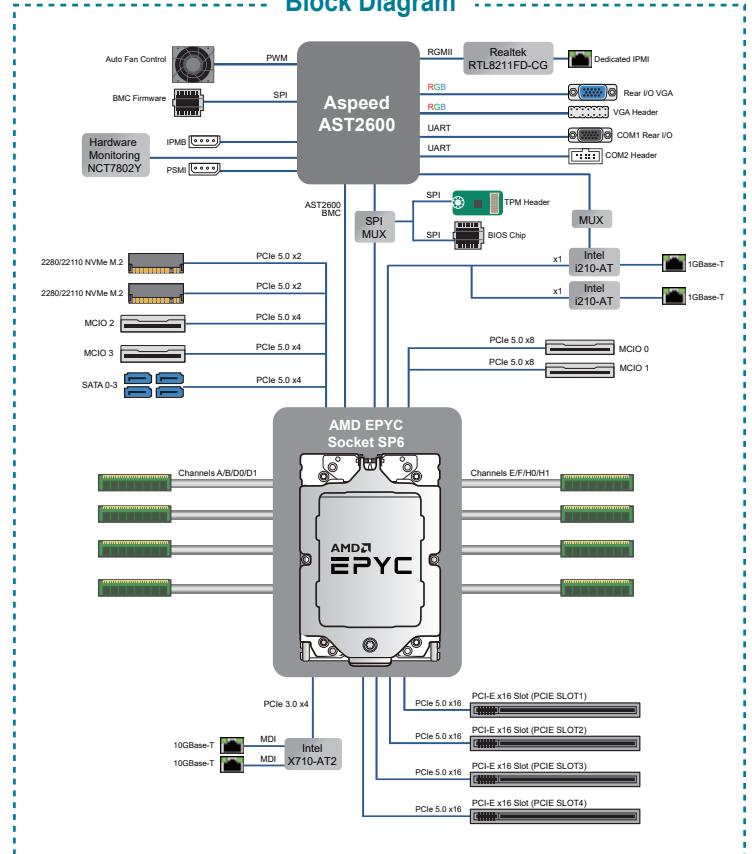
S8040GM4NE-2T

TYAN

Specifications

Processor	Q'ty / Socket Type	(1) AMD Socket SP6	
	Supported CPU Series	(1) AMD EPYC™ 8004 Series Processor	
	Thermal Design Power Wattage	Max up to 225W (TDP)	
Memory	Supported DIMM Q'ty	(8) DIMM slots	
	DIMM Type / Speed	DDR5 4800 MHz (1DPC)	
	Capacity	Up to 768GB RDIMM DDR5 4800/3600 memory	
	Memory channel	6 Channels per CPU	
Expansion Slots	Memory voltage	1.1V	
	PCIe	(4) PCIe Gen.5 x16 slots	
LAN	Port Q'ty	(2) 10GbE ports + (2) GbE ports + (1) GbE dedicated for IPMI	
	Controller	Intel I210 / Intel X710	
	PHY	Realtek RTL8211F	
Storage	SATA	Connector (4) SATA Speed 6Gb/s RAID N/A	
	NVMe	Connector (M.2)	(2) 22110/2280 (by PCIe Gen.5 interface)
		Connector (U.2)	(2) MCIO x4 / (2) MCIO x8
	Graphic	Connector type	(1) VGA
Input / Output	Resolution	Up to 1920x1200	
	Chipset	Aspeed AST2600	
	NVMe	(2) MCIO x4 / (2) MCIO x8	
	USB	(1) USB3.2 Gen.1 header / (1) USB3.2 Gen.1 conn. (Type-A) / (2) USB3.2 Gen.1 ports (@rear)	
	COM	(1) COM port header / (1) DB-9 COM Connector	
	VGA	(1) VGA port	
	RJ-45	(2) 10GbE ports + (2) GbE ports + (1) GbE dedicated for IPMI	
	Front Panel	(1) 2x12-pin SSI front panel header	
	SATA	(1) SATA-DOM connector / (3) 7-pin SATA connectors	
	Power	(2) 2x4 Power input connectors (1) 2x12 Power input connector	
TPM (Optional)	TPM Support	Please refer to our TPM supported list.	
	Interface	SPI	
System Monitoring	Chipset	Aspeed AST2600	
	Fan	Total (5) 4-pin headers	
	Voltage	Monitors temperature for CPU, memory & system environment	
	Temperature	Monitors voltage for CPU, memory, chipset & power supply	
Server Management	LED	Fan fail LED indicator / Over temperature warning indicator / Fan & PSU fail LED indicator	
	Onboard Chipset	Onboard Aspeed AST2600	
BIOS	Brand / ROM size	AMI / 32MB	
	Feature	Hardware Monitor / FAN speed control automatic / Boot from USB device/PXE via LAN/Storage / Console Redirection / SMBIOS 3.0/PnP/Wake on LAN / ACPI sleeping states S0, S5	
Physical Dimension	Form Factor	ATX	
	Board Dimension	12" x 9.6" (305 x 243.8mm)	
Operating System	OS supported list	Please refer to our AVL support lists.	

Block Diagram



Regulation	FCC (SDoC)	Class A
	CE (DoC)	Class A
Operating Environment	Operating Temp.	10° C ~ 35° C (50° F ~ 95° F)
	Non-operating Temp.	- 40° C ~ 70° C (-40° F ~ 158° F)
	In/Non-operating Humidity	90%, non-condensing at 35° C
RoHS	RoHS 6/6 Compliant	Yes

(Specifications are subject to change without notice. Items pictured may only be representative.)

MiTAC Computing Technology Corp

USA
Tel: +1-510-651-8868
Fax: +1-510-651-7688

Taiwan
Tel: +886-3-327-5988
Fax: +886-3-327-6312

China
Shanghai Tel: +86-021-61431188 #1361
China Tel: +86-010-62381108 #2485

Japan
Tel: +81-3-3769-8311
Fax: +81-3-3769-8328

EMEA
Tel: +44 07540328523
Email: robin.daunter@tyan.com